

Interface Board Type 470 (G068)

Interface Board Type 470 (G068)

PARTS CATALOG

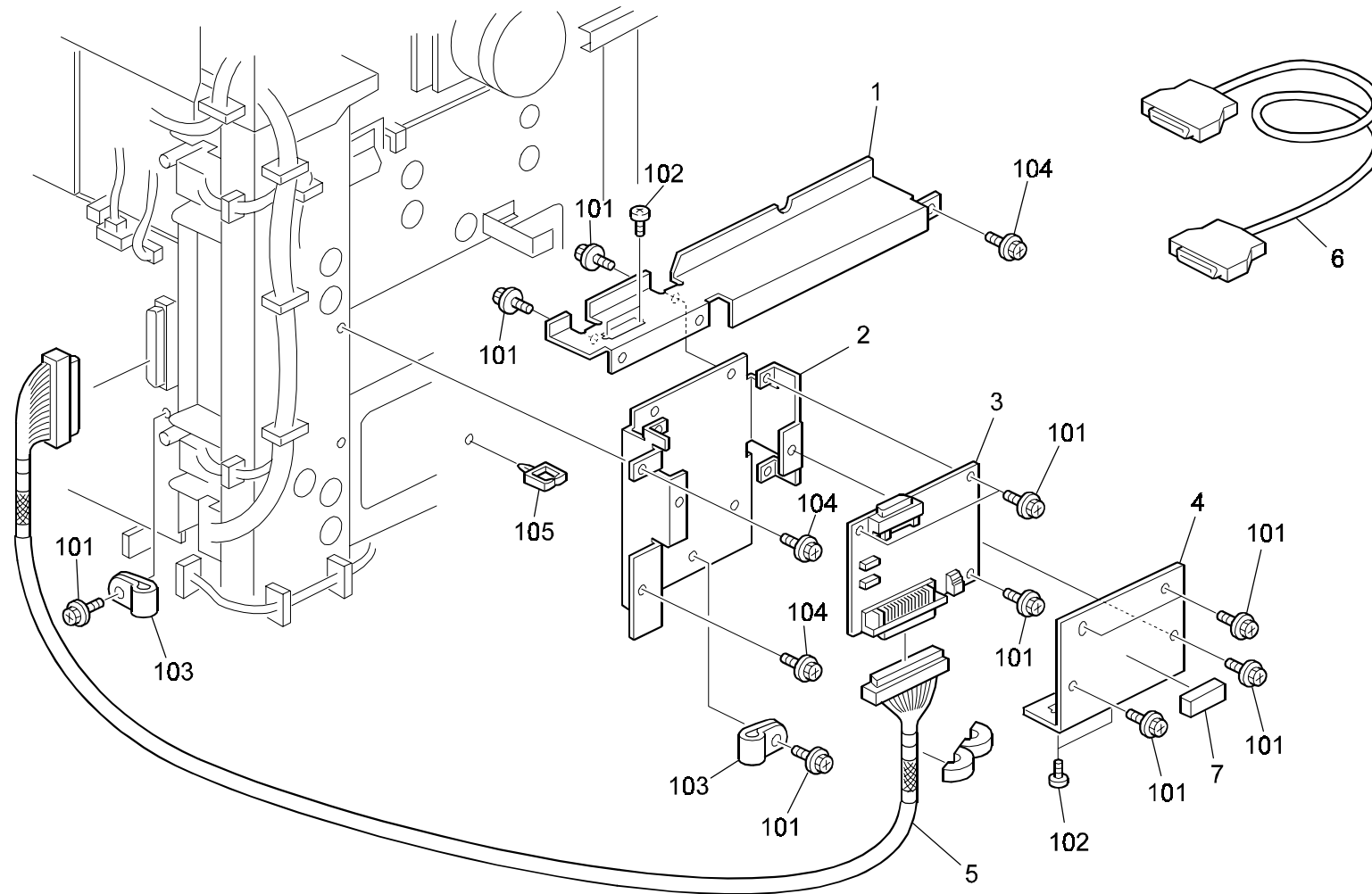
This catalog gives the numbers and names of parts on this machine.

CONTENTS

| | |
|--|----------|
| 1.Controller Intercafe Unit (G068) | 2 |
| Parts Index | 5 |

May ,25 ' 2001

1.Controller Intercafe Unit (G068)



1.Controller Intercafe Unit (G068)

| Index No. | Part No. | Description | Q'ty Per Assembly |
|-----------|-----------|--------------------------------|-------------------|
| 1 | G068 1336 | Panel - Interface Board | 1 |
| 2 | G068 1337 | Bracket - Interface Board | 1 |
| 3 | G068 5100 | Interface Board | 1 |
| 4 | G068 1338 | Cover - Interface Board | 1 |
| 5 | G068 5751 | Interface Cable - IPU-AP Video | 1 |
| 6 | G068 5750 | Interface Cable - DP3 5m | 1 |
| 7 | G068 1340 | Gasket | 1 |



| Index No. | Part No. | Description | Q'ty Per Assembly |
|-----------|------------|------------------------------|-------------------|
| 101 | 0451 3008B | Tapping Screw - M3x8 | |
| 102 | 0312 5060B | Pan Head Screw - M2.5x6 | |
| 103 | 1105 0530 | Nylon Clamp - EMT-4N | |
| 104 | 0451 4008B | Philips Tapping Screw - M4x8 | |
| 105 | 1105 0348 | Clamp | |

Parts Index

Parts Index

| Part No. | Description | Page and Index No. |
|-----------|--------------------------------|--------------------|
| G068 1336 | Panel - Interface Board | 3- 1 |
| G068 1337 | Bracket - Interface Board | 3- 2 |
| G068 1338 | Cover - Interface Board | 3- 4 |
| G068 1340 | Gasket | 3- 7 |
| G068 5100 | Interface Board | 3- 3 |
| G068 5750 | Interface Cable - DP3 5m | 3- 6 |
| G068 5751 | Interface Cable - IPU-AP Video | 3- 5 |

| Part No. | Description | Page and Index No. |
|------------|------------------------------|--------------------|
| 0312 5060B | Pan Head Screw - M2.5x6 | 3-102 |
| 0451 3008B | Tapping Screw - M3x8 | 3-101 |
| 0451 4008B | Philips Tapping Screw - M4x8 | 3-104 |
| 1105 0348 | Clamp | 3-105 |
| 1105 0530 | Nylon Clamp - EMT-4N | 3-103 |